



### ■ Features

- Custom made to ANY size
- Aluminium chequer plate or plain plate lid
- Double EPDM Seals
- Manual, Electric or Hydraulic Options
- Can be fire rated up to 4 hours.



### Standard Specification

#### ■ Material

Depending on size standard specification will be either:  
Aluminium  
Stainless Steel Grade 304  
Stainless steel grade 316

#### ■ Cover

Flush with the floor lid with aluminium 5 bar tread plate lid.  
Plain plate also available.

#### ■ Frame

Extruded aluminium or fabricated stainless steel frame  
Featuring a clad finish to the underside of the lid

#### ■ Hinges

Unique stainless steel hidden hinge

#### ■ Drainage

This access cover is not watertight, it is 'self-draining'.  
Should any water pass the seals, it will be dispersed via an integral drainage channel, which is fitted (as standard) with an external 3/4 inch flexible hose adaptor (for connection to drain by others).  
Note: external drainage is possible if required

#### ■ Operation

Gas spring assisted opening on smaller sizes, larger hatches will be electric or hydraulic depending on loading, infill and size. Lift out doors are also available.

#### ■ Locking

For Manual:  
Heavy duty stainless steel slam latch (LO1)  
Hold open safety stay. 'T' Operated from above. Can be operated from both sides.  
For Electric: Actuators lock in position with battery back up control panel in case of emergency.

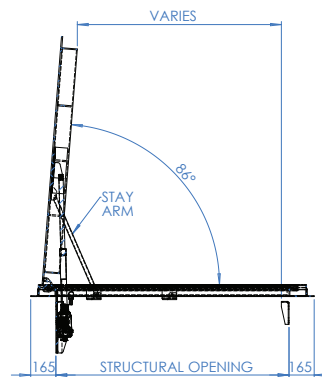
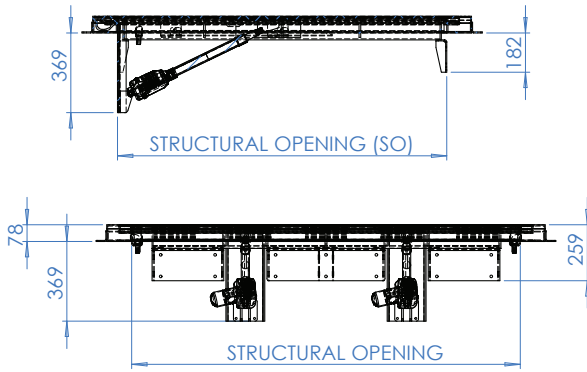
#### ■ Finish

Aluminium chequer plate finish with option for plain plate finish. Anti-Slip coating also available.



DISCUSS YOUR PROJECT  
REQUIREMENTS WITH OUR  
TECHNICAL TEAM

(+44) 1922 711185



DISCUSS YOUR PROJECT  
REQUIREMENTS WITH OUR  
TECHNICAL TEAM  
  
(+44) 1922 711185

Dimensions may vary depending on requirements and specification

### Options

- Stainless Steel grade 304 or 316
- Aluminium
- Galvanised Steel
- Personnel Access incorporated into larger hatch

### Case Studies

**Fire Rated Equipment Hatch - 4050 x 2900mm**  
<https://youtu.be/03tkJ4pSti0>

**Large Plant Room Access - 6500 x 4100mm**  
<https://youtu.be/lrjdjlrYo5s>

**Basement Fire Rated Hatch - 2350 x 1950mm**  
<https://youtu.be/15NtMZtgacY>

### Safety Grid



### Loadings

- W1 Pedestrian light loading (2.5 KN/sqm)
- W2 Pedestrian medium loading (5 KN/sqm)
- W2 Pedestrian heavy loading (10 KN/sqm)
- W3 Car light loading (15 KN wheel load)
- W4 Car medium loading (25 KN wheel load)
- W5 Car heavy loading (50 KN wheel load)
- W6 Van heavy loading (65 KN wheel load)
- W7 HGV heavy loading (108 KN wheel load)
- W8 Docklands heavy loading (158 KN wheel load)

### Performance

- Fire Rated up to 4 hours to:  
BS EN 1634-1: 2008 and  
BS EN 1363-1: 1999.  
UL-EU-01074-CPR
- Acoustic Rating up to 45dB
- SureGrip Non Slip Finish

### Operation

#### Manual

- Gas Spring Assisted
- Hold Open Stay
- Galvanised Steel

#### Electric

- Electric Actuators
- Control panel with 72 Hour  
Battery Back Up
- Removable Actuators

#### Hydraulic

- Hydraulic Actuators
- Manual Hand Pump
- Electrically Driven Options

### Locking Options

- LO3 Tee Lock
- LB - Locking Box
- Limit Switch
- SB - Shoot bolt
- CAML - Cam lock
- Concealed Deadlock

### Electric Controls

- Control Panel with battery backup
- Internal/External Key Switch
- Internal/External Push Button
- Bespoke switches can be  
accommodated including Key pads,  
remote control and more

### Hydraulic Controls

- Manual Hand Pump & Control Panel
- Control Panel Housings
- Variety of switches for electric
- Bespoke options can be accommodated  
including alarms, klaxon, contact  
sensors and more.