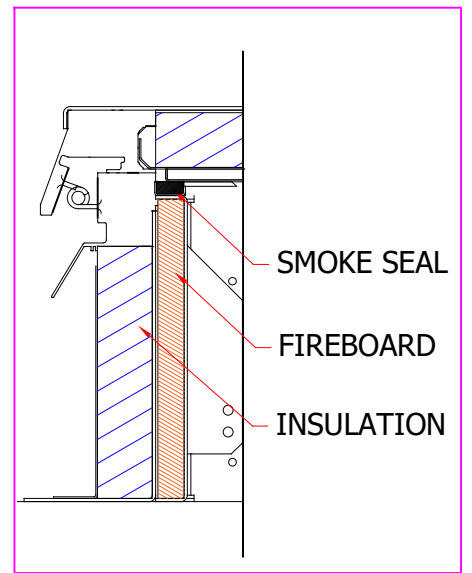
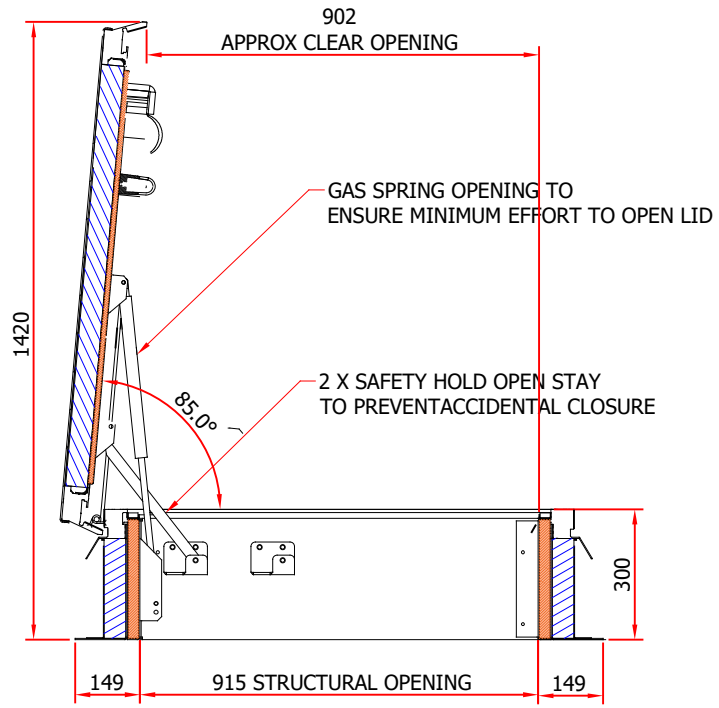
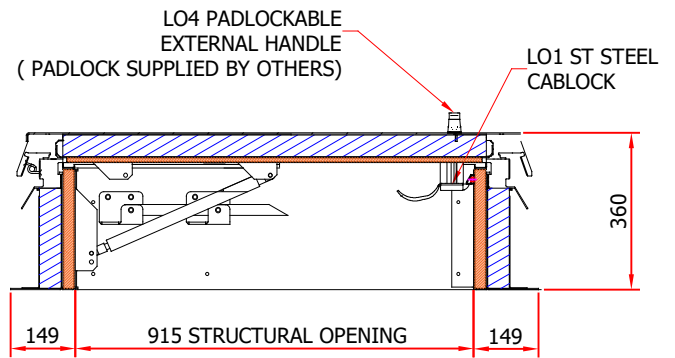
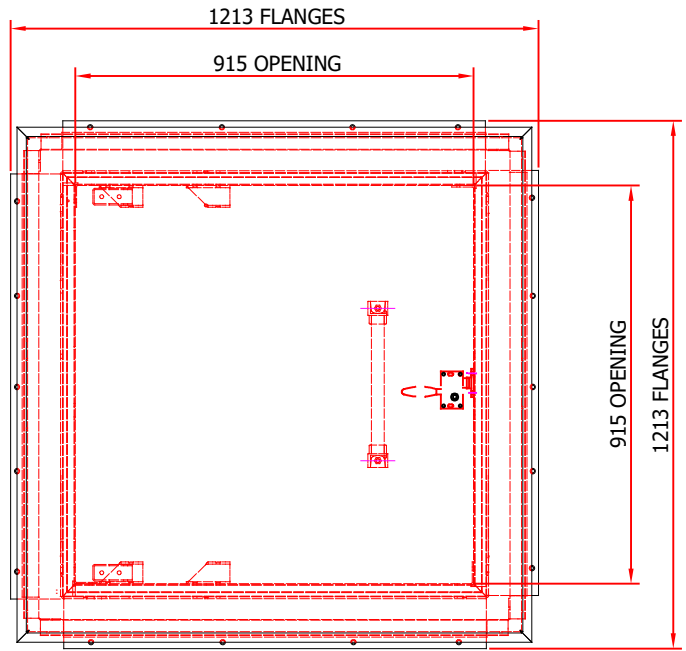


SRH TB FR 915 X 915MM
 THERMALLY BROKEN INSULATION U-VALUE 0.63W/M2K
 UP TO 4 HOUR FIRE RESISTANCE FOR INTEGRITY TO EN1634-1:2014

1 No. REQD
 MATERIAL: ALUMINIUM & GALVANISED STEEL
 FINISH: SELF COLOUR

APPROX WEIGHT: 200KG

ALL EXTERNAL FIXINGS
 BY OTHERS



LASER CUT	
PUNCH PRESS	
FOLDING	
DRILLING	
WELDING	
ASSEMBLY	
POWDER COAT	

	_____ _____ _____		Designed by DRAWN	Checked by Checked_	Client Client	Project Project	DATE
	Dwg_Title						
	Dwg_Number						

Dwg_Title		Revision Rev	Sheet 1 / 30
Dwg_Number		Revision Rev	Sheet 1 / 30