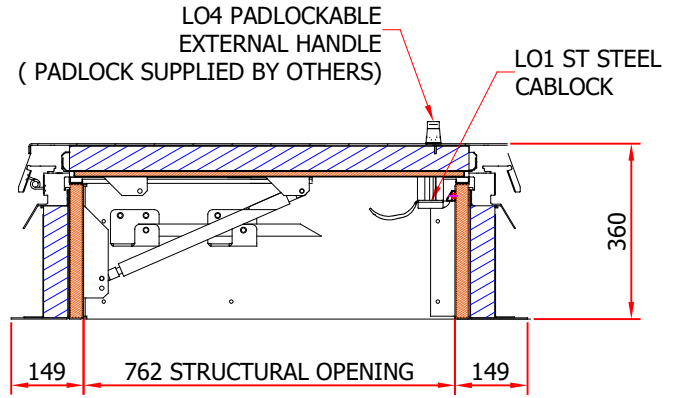
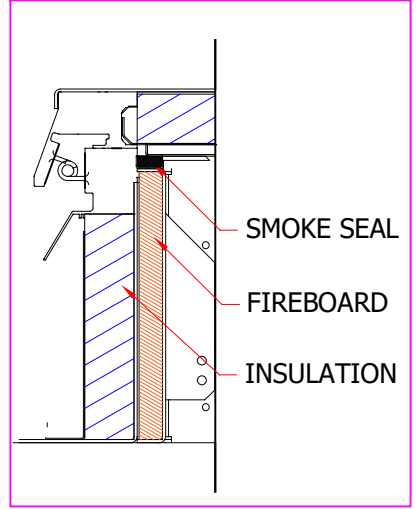
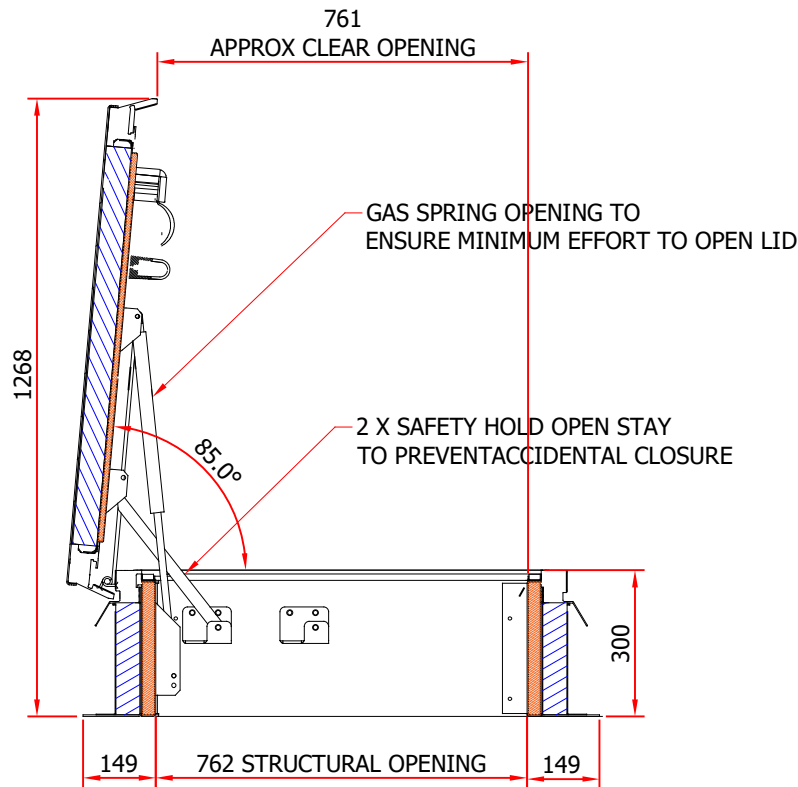


SRH TB FR 915 X 762M
THERMALLY BROKEN INSULATION U-VALUE 0.63W/M2K
UP TO 4 HOUR FIRE RESISTANCE FOR INTEGRITY TO EN1634-1:2014

1 No. REQD
MATERIAL: ALUMINIUM & GALVANISED STEEL
FINISH: SELF COLOUR

APPROX WEIGHT: 180KG

ALL EXTERNAL FIXINGS
BY OTHERS



LASER CUT	
PUNCH PRESS	
FOLDING	
DRILLING	
WELDING	
ASSEMBLY	
POWDER COAT	



Designed by DRAWN	Checked by Checked by Client	Client	Project Project	DATE
Dwg_Title				
Dwg_Number	Revision Rev	Sheet 1 / 30		