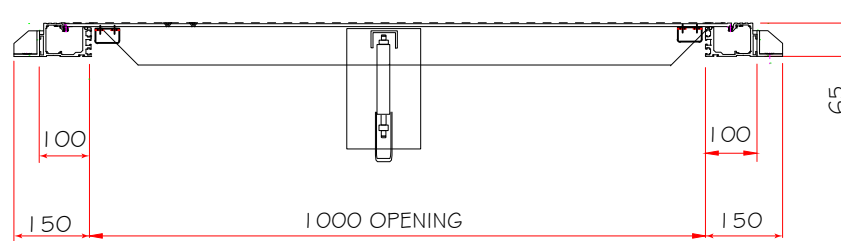
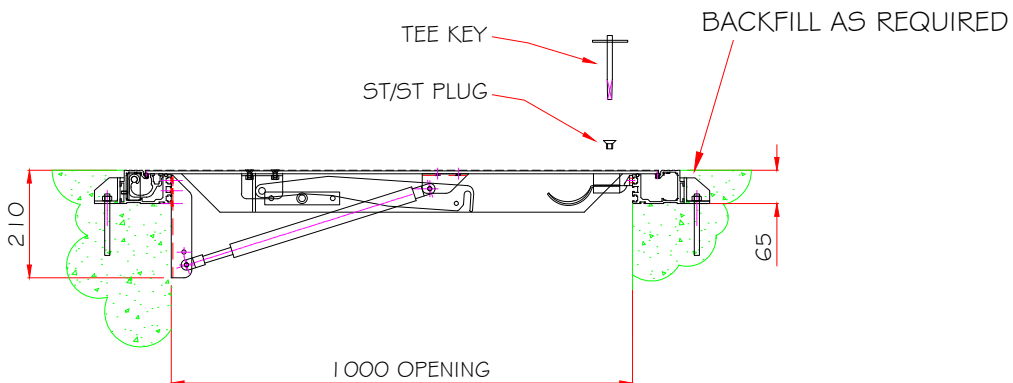
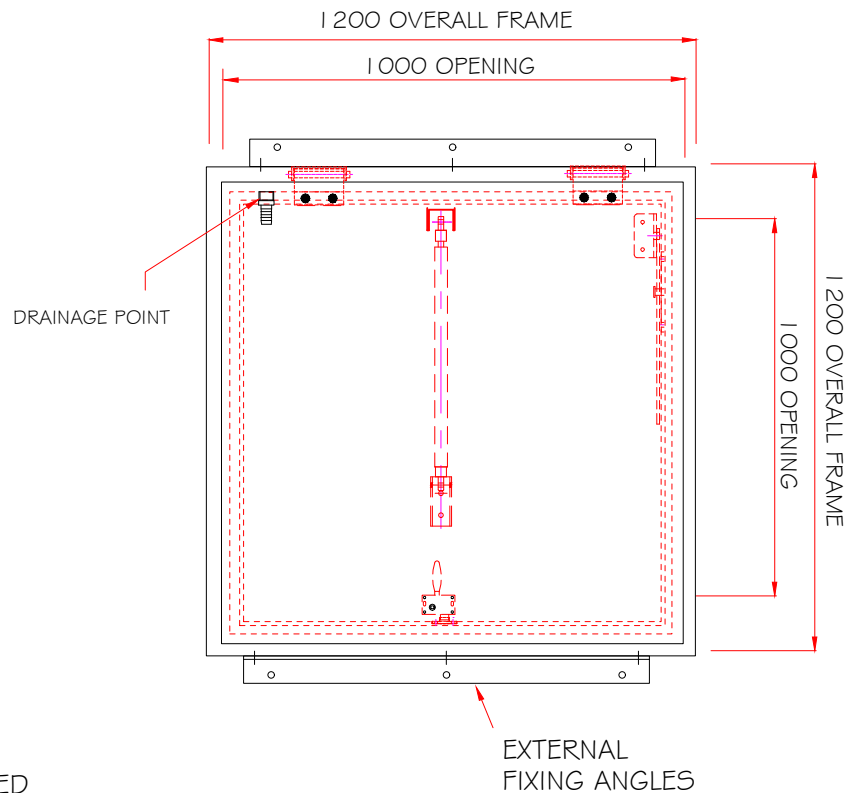
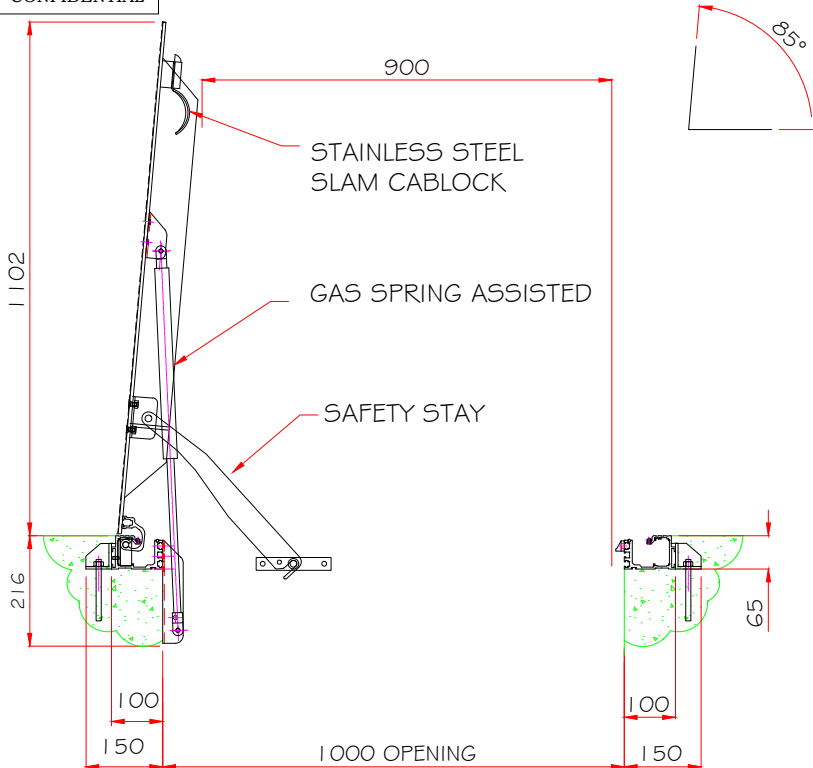


CONFIDENTIAL


INDEX	ITEM NO.	ED	AMENDMENT	DATE	SIGN



Copyright is claimed in this drawing and no copy may be made without prior written permission.	The article shown is also the subject of	
	patent rights	✓
	registered design right	✓
	unregistered rights	✓
	The drawing is a design document	✓
©	patent pending	✓

WIND RESTRAINTS SHOULD BE SPECIFIED ON ALL ACCESS HATCHES SUBJECT TO HIGH WIND CONDITIONS

THIS IS A MANUALLY OPERATED ACCESS HATCH/COVER AND IT IS ESSENTIAL THAT SAFE MEANS OF ACCESS IS PROVIDED FOR THE OPERATOR

ITEM NO	NO OFF	DRG NO.	ITEM MASS	DENOMINATION	MATERIAL	REMARKS
Excluding law protects SURESPAN'S right of possession to this drawing. The design or the drawing must not, without permission of the company, be published, copied, reproduced, manufactured or exploited in any other unauthorized way.				<b>SAC FLUSH HATCH</b> <b>1000 X 1000</b>		
						
CONTRACT NO.				DRAWING NO.		REV No

DRAWING MADE BY CAD  
MANUAL CHANGES PROHIBITED