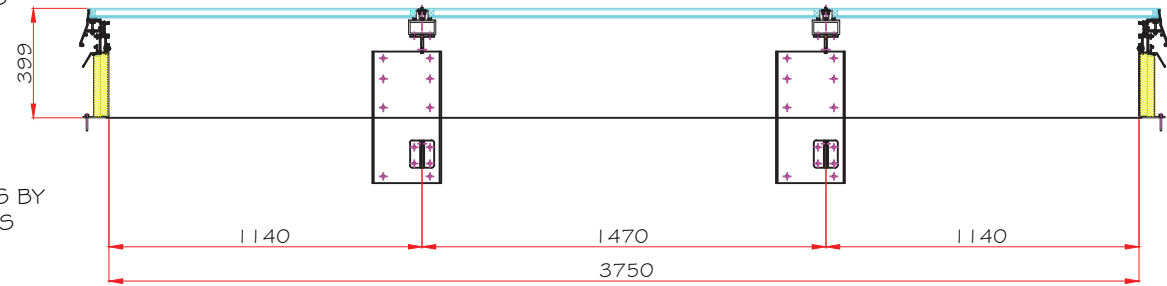
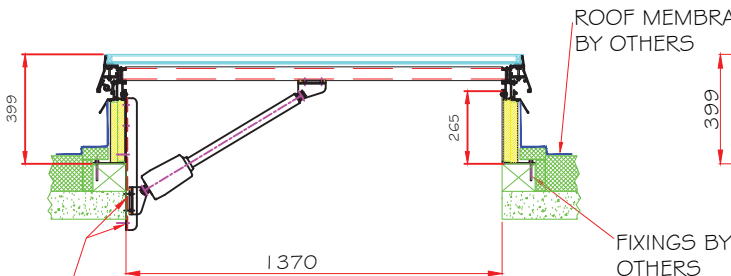
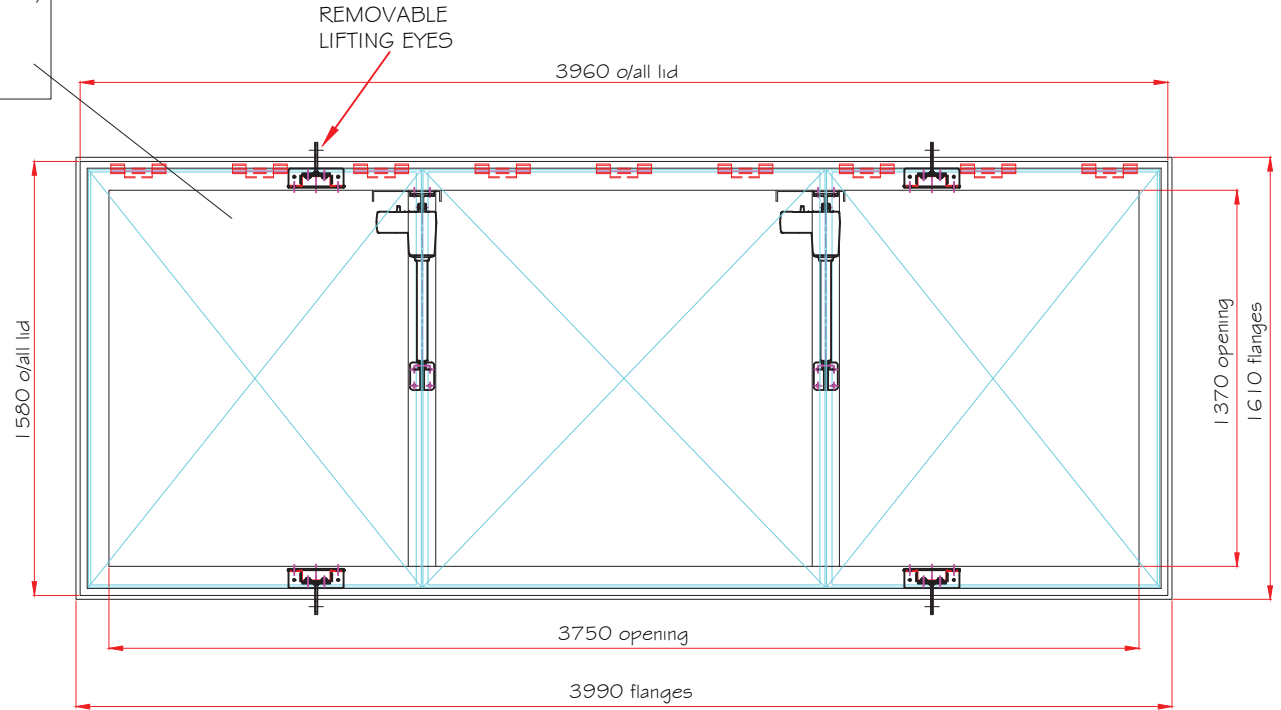
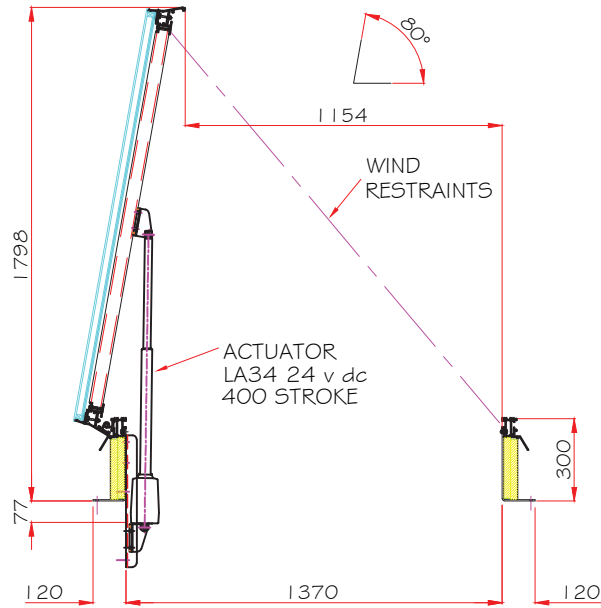


CONFIDENTIAL

INDEX	REV NO	ED	AMENDMENT	DATE	SIGN

6mm TOUGHENED 'K GLASS S' PAR (POLISHED ALL AROUND)
 MINIMUM DUBBED CORNERS
 20mm WARM EDGE SPACER BAR (SILVER COLOUR)
 9.5mm LAMINATE



ACTUATOR BRACKETS MUST BE "BACKED UP" & FIXED BACK TO STRUCTURE

SRHGE 3750 X 1370
 MATERIAL - ALUMINIUM
 FINISH:
 INTERNAL POWDER COAT RAL 9010
 EXTERNAL POWDER COAT RAL TBC
 1 No. REQD (APPROX WEIGHT:400 KG)

THE INTERFACE OF THIS ACCESS HATCH WITH THE ROOFING STRUCTURE, WEATHERING AND WITH ANY OTHER RELATED INTERFACE SUCH AS LADDERS, STAIRWAYS ETC IS OUTSIDE THE RESPONSIBILITY OF SURESPAN. IF IN DOUBT PLEASE SEEK CLARIFICATIONS

ITEM NO	NO OFF	DRG NO.	ITEM MASS	DENOMINATION	MATERIAL	REMARKS
Existing law protects SURESPAN'S right of possession to this drawing. The design or the drawing must not, without permission of the company, be published, copied, reproduced, manufactured or exploited in any other unauthorized way.						
				CONTRACT NO.	DRAWING NO.	REV No
				50 21608	21608-1	A

Copyright is claimed in this drawing and no copy may be made without prior written permission

The article shown is also the subject of	
patent rights	✓
registered design right	✓
unregistered rights	✓
The drawing is a design document	✓
patent pending	✓

WIND RESTRAINTS SHOULD BE SPECIFIED ON ALL ACCESS HATCHES SUBJECT TO HIGH WIND CONDITIONS

THIS IS A ELECTRICALLY OPERATED ACCESS HATCH/COVER AND IT IS ESSENTIAL THAT SAFE MEANS OF ACCESS IS PROVIDED FOR THE OPERATOR

DRAWING MADE BY CAD
 MANUAL CHANGES PROHIBITED