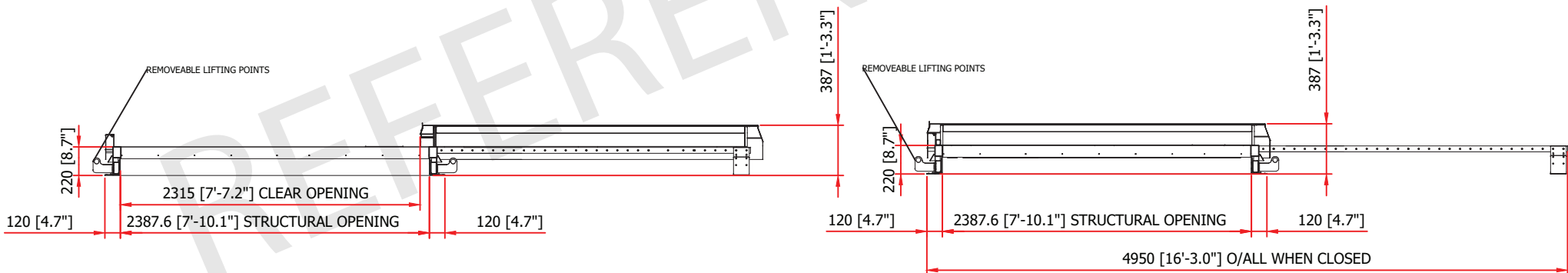


SLHE SOLID TOP HATCH w/ REMOVABLE LIFTING EYES
 SIZE: 1676mm x 2387mm
 UPSTAND: 220mm
 OPERATION: 240v MOTOR
 MATERIAL: ALUMINIUM
 UPSTAND INSULATION: 50mm MINERAL WOOL (U-Value 0.63W/m2K)
 QUANTITY: 1 No. REQD
 INTERNAL COLOUR: RAL 9010
 EXTERNAL COLOUR: RAL 9010
 APPROX WEIGHT: 355 kg



EXAMPLE DIMENSIONS ONLY

LASER CUT	
PUNCH PRESS	
FOLDING	
DRILLING	
WELDING	
ASSEMBLY	
POWDER COAT	

DRAWING MADE BY CAD
 MANUAL CHANGES PROHIBITED

Copyright is claimed in this drawing and no copy may be made without prior written permission.



The article shown is also the subject of:
 patent rights
 registered design rights
 unregistered rights
 this drawing is a design document
 patent pending

WIND RESTRAINTS SHOULD BE SPECIFIED ON ALL ACCESS HATCHES SUBJECT TO HIGH WIND CONDITIONS
 THIS IS A ELECTRICALLY OPERATED ACCESS HATCH/COVER & IT IS ESSENTIAL THAT SAFE MEANS OF ACCESS IS PROVIDED FOR THE OPERATOR



Designed by EO
 Checked by
 Client
 Date
 EXISTING LAW PROTECTS SURESPAN'S RIGHT OF POSSESSION TO THIS DRAWING. THE DESIGN OR THE DRAWING MUST NOT, WITHOUT PERMISSION OF THE COMPANY, BE PUBLISHED, COPIED, REPRODUCED MANUFACTURED OR EXPLOITED IN ANY OTHER UNAUTHORIZED WAY

Project	SLIDING ROOF HATCH	Date	03/06/2021
35904-1		Revision	E
SLHE/50 TB SOLID TOP 1676 X 2387		Sheet	1 / 56