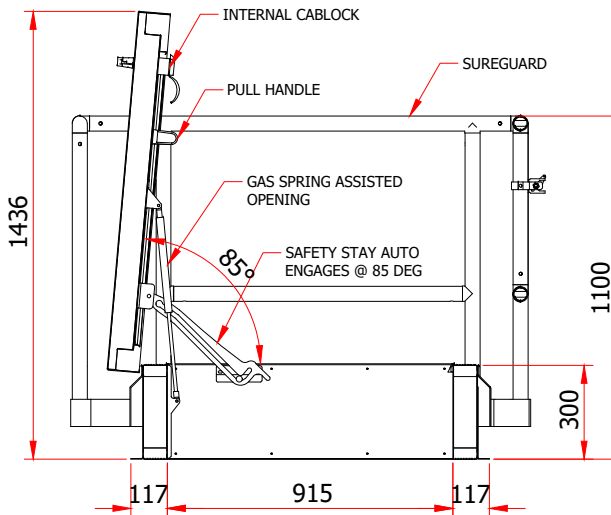


A-A
CLOSED VIEW



A-A
OPEN VIEW

SRHP75 + SUREGUARD
 SIZE: 915 X 915 mm
 UPSTAND HEIGHT: 300 mm
 LOCKING OPTION: LO1 (INTERNAL CABLOCK) / LO2 (PADLOCKABLE TOGGLE LATCH) / LO4 (EXTERNAL PADLOCKABLE HANDLE)

MATERIAL: ALUMINIUM
 INSULATION: 75 mm INSULATION (U-Value of 0.26W/m²K)

QUANTITY: 1 No. REQD

HATCH INTERNAL FINISH: MILL FINISH
 SUREGUARD & HATCH EXTERNAL FINISH : MILL FINISH

APPROX WEIGHT: 90 Kg

LASER CUT	
PUNCH PRESS	
FOLDING	
DRILLING	
WELDING	
ASSEMBLY	
POWDER COAT	

DRAWING MADE BY CAD
 MANUAL CHANGES PROHIBITED

Copyright is claimed in this drawing and no copy may be made without prior written permission.



The article shown is also the subject of:
 patent rights
 registered design rights
 unregistered rights
 this drawing is a design document
 patent pending

WIND RESTRAINTS SHOULD BE SPECIFIED ON ALL ACCESS HATCHES SUBJECT TO HIGH WIND CONDITIONS
 THIS IS AN ELECTRICALLY OPERATED ACCESS HATCH/COVER & IT IS ESSENTIAL THAT SAFE MEANS OF ACCESS IS PROVIDED FOR THE OPERATOR



Designed by SM	Checked by	Client	Project	Date 03.12.2020
EXISTING LAW PROTECTS SURESPAN'S RIGHT OF POSSESSION TO THIS DRAWING. THE DESIGN OR THE DRAWING MUST NOT, WITHOUT PERMISSION OF THE COMPANY, BE PUBLISHED, COPIED, REPRODUCED MANUFACTURED OR EXPLOITED IN ANY OTHER UNAUTHORIZED WAY			SRHPE/75 915 x 915 mm + SUREGUARD & REMOVABLE LIFTING EYES	
			Revision	Sheet 1 / 29